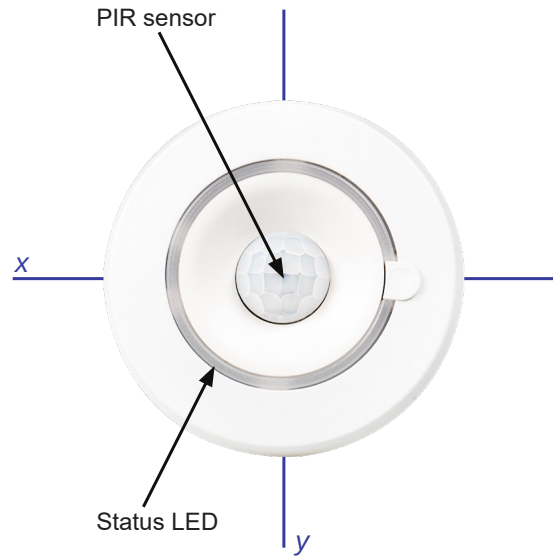


PIR Sensor (320, 320B)

The PIR Sensor is a compact sensor that provides energy-saving functions in a DALI system. It can turn the lights on when its coverage area is occupied, and off when it is unoccupied. The sensor's settings are adjusted using Helvar's Designer or Toolbox software.

Due to its excellent detection performance, the PIR Sensor is especially suitable for applications where small or slow movements take place for extended periods of time, such as offices or classrooms. Since its detection sensitivity is less dependent on movement direction than that of most PIR sensors, fewer units are required to reliably cover a target area.

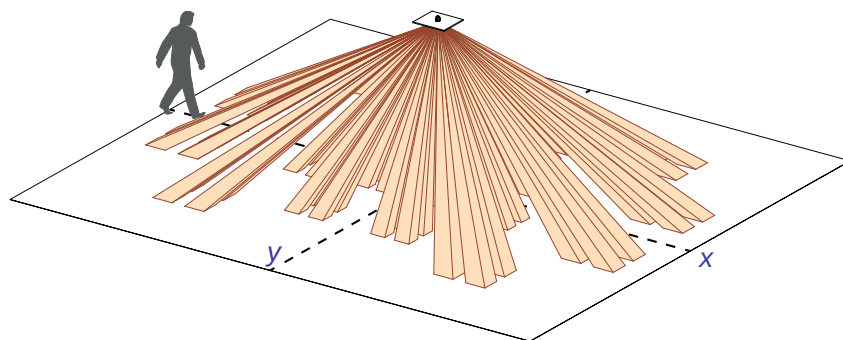
The unit can be mounted into a ceiling void or onto a solid surface using Helvar's SBB-C (white) or SBB-CB (black) mounting box (sold separately).



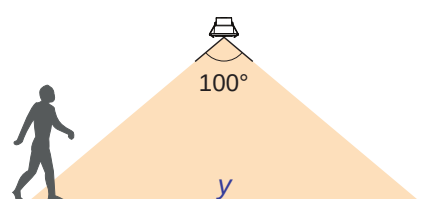
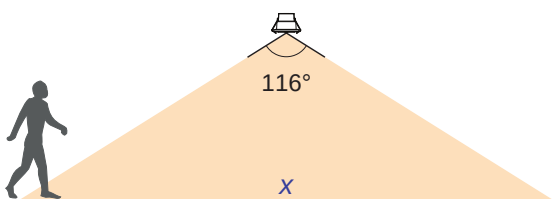
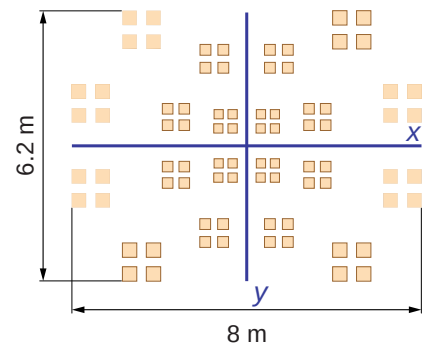
Key Features

- Excellent detection performance through high sensitivity and multidirectional coverage
- 10 mA DALI current consumption
- Compact and functional design
- Programmable in Designer and Toolbox

Presence Detection Coverage at 2.5 m Height



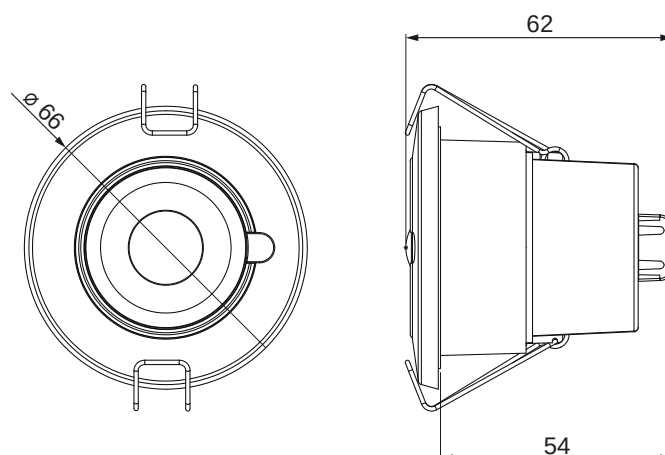
Detection pattern at floor level for 2.5 m mounting height



Technical Data

Connections	
DALI:	Removable connector block
Wire section:	0.5 mm ² – 1.5 mm ² solid or stranded
Cable rating:	All cables must be mains rated.
Power	
DALI supply input:	13 V – 22.5 V
DALI consumption:	10 mA
Sensors	
Presence detector:	Passive infrared (PIR)
Mechanical data	
Max. recommended mounting height:	4 m
Presence detection coverage area:	46 m ² @ 2.5 m mounting height
Mounting hole diameter:	52 mm – 55 mm
Bezel diameter:	66 mm
Recommended clearance depth:	10 cm (with cable cover, incl. 5 cm for cabling)
Material (casing):	Nonflammable PC/ABS (UL94–V0)
Finish/Colour:	Semi-matt / White RAL 9003
320:	
320B:	Semi-matt / Anthracite grey RAL 7016
Weight:	66.3 g
IP code:	IP30 [IP20 cable cover]
Operating and storage conditions	
Ambient temperature:	0 °C to +50 °C
Relative humidity:	Max. 90 %, noncondensing
Storage temperature:	–10 °C to +70 °C
Conformity and standards	
EMC emission:	EN 55015
EMC immunity:	EN 61547
Safety:	EN 61347-2-11
Environment:	Complies with WEEE and RoHS directives.
Software compatibility	
Designer:	5.4 or later
Toolbox:	2.4.2 or later

Dimensions (mm)



Connections

