

EmersonIONet

Driver Legacy

The Emerson IONet driver, along with QCONTAX IONet gateway, allows the integration of Emerson CPC IO-Net field modules (MultiFlex board) into Niagara Framework. The driver can be used on Tridium JACE stations. All driver components, the devices, the detected points, the histories, the alarms and the schedulers are perfectly integrated in Niagara Workbench; this allows a better efficiency in the design and maintenance of the systems, with lower cost results.

The driver can directly communicate via IONet with the Emerson IO boards.

Key Features

- Communication driver, with IONet protocol.
- Function to discover the "Device".
- Function to discover the "Points".

Application

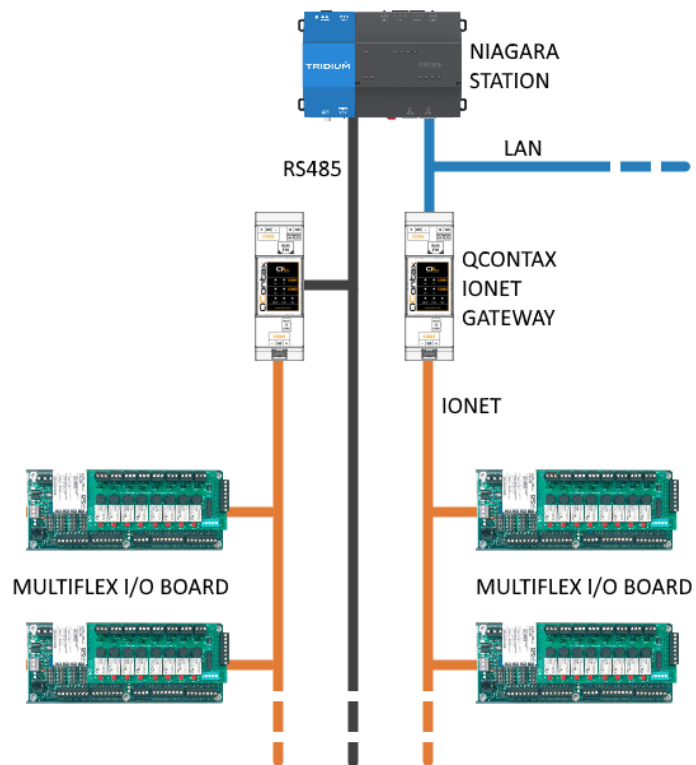
- Building Automation
- Data Center
- Energy Management
- Enterprise Management
- Equipment Control
- Refrigeration

Niagara Platform

JACE or Supervisor

Niagara Version

AX and N4



QContaxIONet

In order to use the driver EmersonIoNet you must use QCONTAX IONet which can communicate both in serial or IP mode.

QuickLink Solutions S.r.l.

Via dei Castani, 38 - 28900 Verbania (VB) ITALY

www.qjsol.com

Page 1

QL
SOLUTIONS