

Surface mounting boxes for 311,312,313,314,317,320,321,322 and 331 sensors

The table below lists which surface mounting boxes (back boxes) can be paired with which Helvar DALI lighting system sensors:

	SBB-A (White) SBB-AB (Black)	SBB-B (White)	SBB-C (White) SBB-CB (Black)	SBB-D (White) SBB-DB (Black)
311 PIR Detector	✓	✗	✗	✗
312 Multisensor	✗	✗	✓	✗
313 Low profile Microwave Detector	✓	✗	✗	✗
314 Tilting Microwave Detector	✗	✓	✗	✗
317 High Bay PIR Presence/Absence Detector	✓	✗	✗	✗
320 Occupancy Sensor	✗	✗	✓	✓
321 Multisensor	✗	✗	✓	✓
322 High Bay Multisensor	✗	✗	✗	✓
331 Multisensor	✗	✗	✓	✓

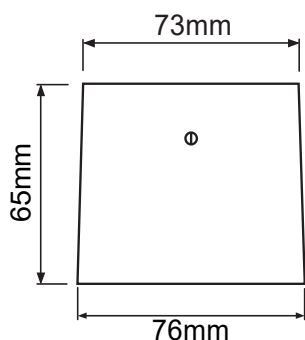
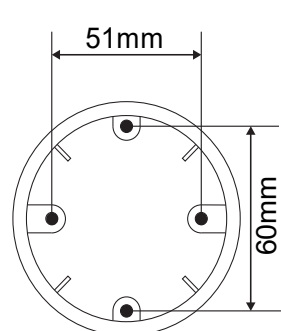
Material Specifications

Fire Retardant: Yes

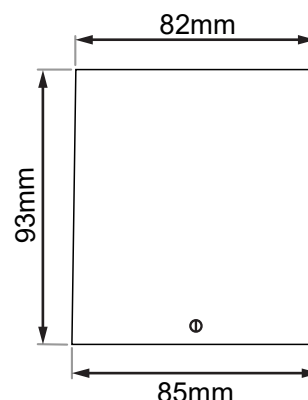
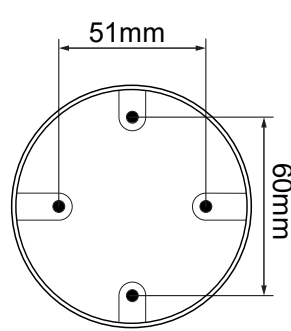
RoHS Compliant: Yes

Dimensions

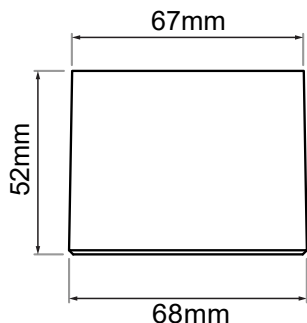
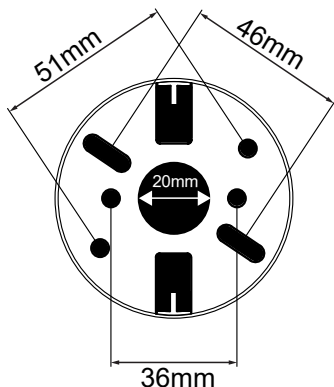
SBB-A, SBB-AB



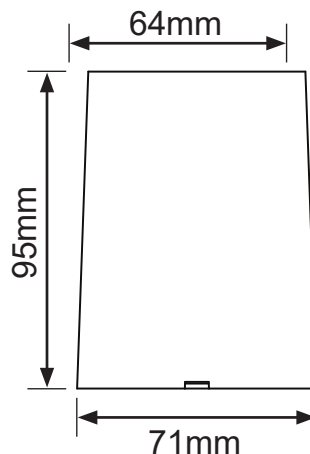
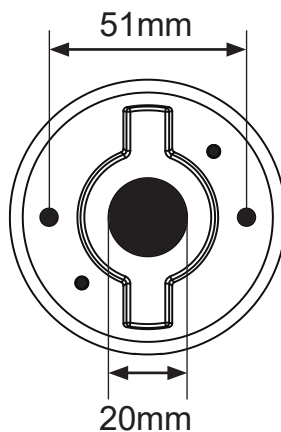
SBB-B



SBB-C, SBB-CB



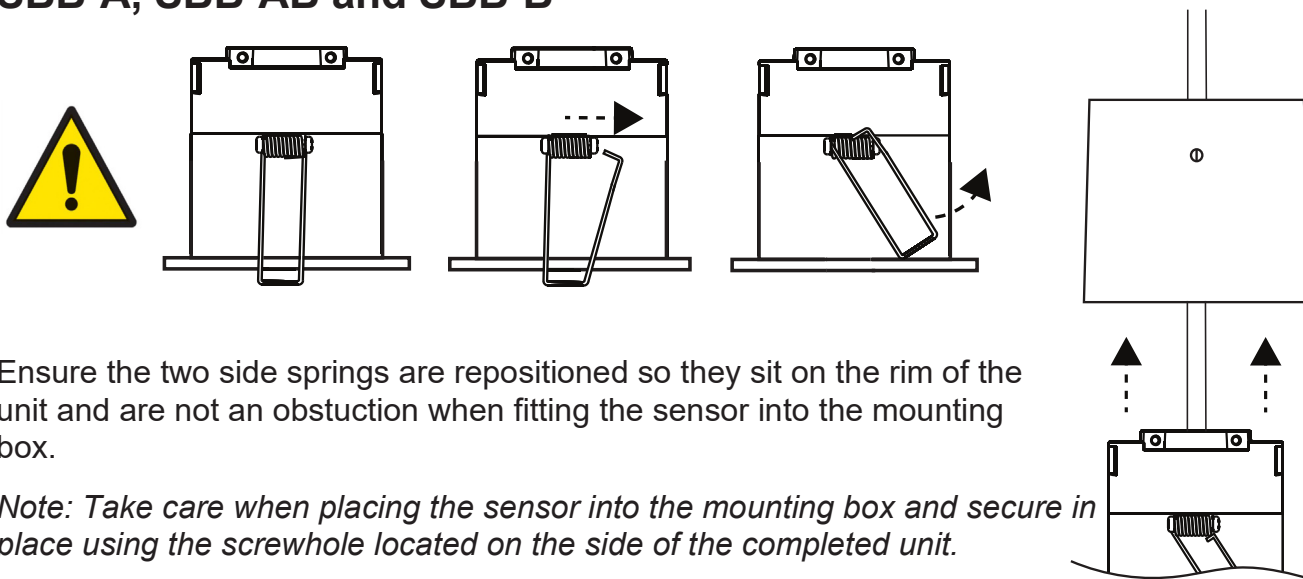
SBB-D, SBB-DB



Fitting the sensor to the SBB mounting box.

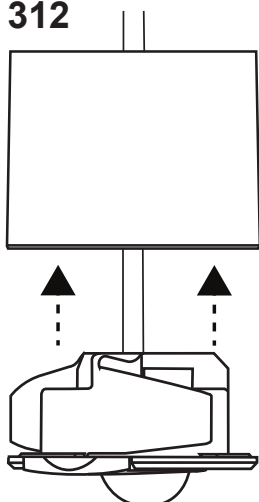
Note: Please refer to the installation guide of the sensor to ensure everything has been completed correctly prior to fitting it into the mounting box.

SBB-A, SBB-AB and SBB-B



SBB-C, SBB-CB

312

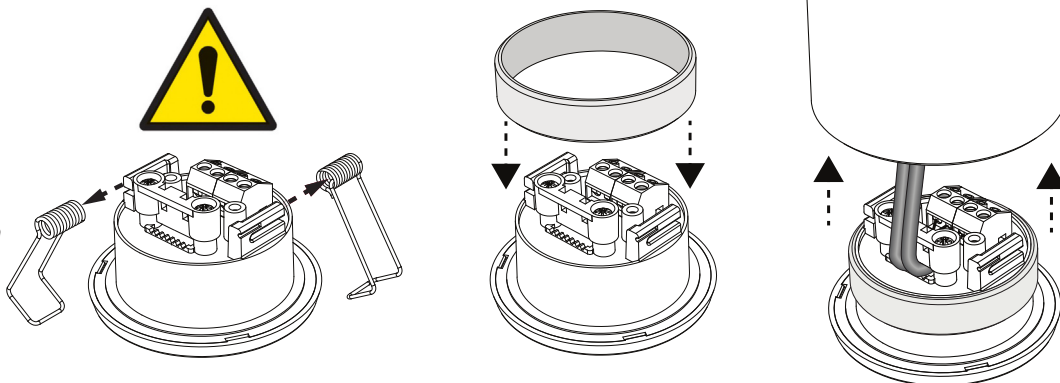


Note: Take care when placing the sensor into the mounting box. Ensure the fully fitted sensor sits secure and flush to the mounting box edge and no gaps are present.

320, 321, 331

Ensure the two side springs are carefully removed from the sensor and the mounting band is fully fitted so it sits correctly around the unit.

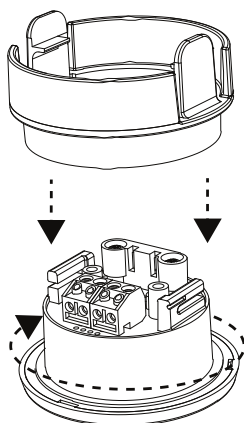
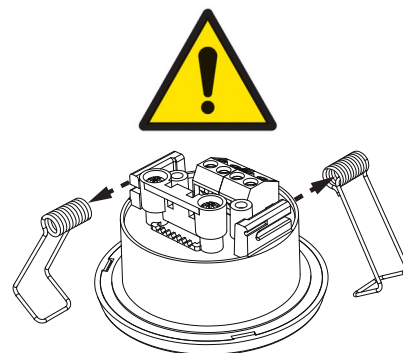
Note: Take care when placing the sensor into the mounting box. Ensure the sensor sits secure and flush to the mounting box edge with no gaps are present.



SBB-D, SBB-DB

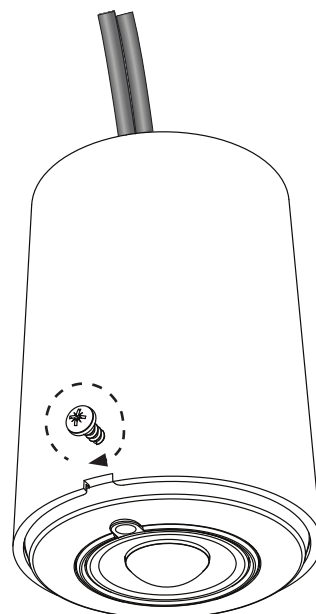
320, 321, 331

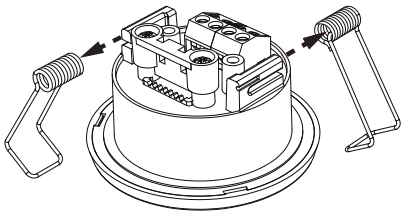
Ensure the two side springs are carefully removed from the sensor.



Place the circular insert onto the sensor and lock into place by rotating until fully secured.

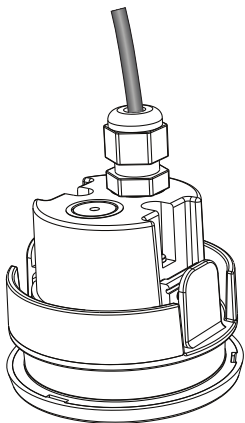
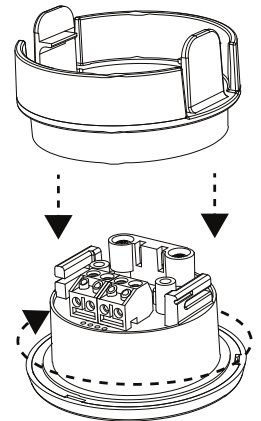
With the wiring completed carefully fit the sensor into the mounting box and lock into place using the securing screw.





Ensure the two side springs are carefully removed from the sensor.

Place the circular insert onto the sensor and lock into place by rotating until fully secured.



Use the installation guide to complete the wiring and sensor assembly.

Carefully fit the sensor into the mounting box and lock into place using the securing screw.

