

## 13xx Modular Panels

The 13xx modular panels are a customisable, DALI-compatible range of user interfaces that allow control of the lighting system. Each module is fitted with indicator LEDs and an infrared receiver that gives the option of remote operation using DIGIDIM hand-held remote controls. The hand-held remote also allows additional control of the system's functions and can be used as a programming device on simple systems.

### Key Features

- Choice of black (B) or white (W) modules.
- Simple connection: out-of-box operation.
- Easily reconfigured and programmable using Helvar Designer and Toolbox.
- Designed to fit DIN and UK standard back boxes.
- Double-gang version can take three independent modules.
- Customisable versions available upon request. Both the button layout of the panels and the images or labels that are printed on each button can be customised. Contact your local Helvar representative for further information.

### Module Types

The following modules are available:

Module Function	Product Code White	Product Code Black
On / Off (2 buttons)	131 W	131 B
Raise/Lower (2 buttons)	132 W	132 B
4 scenes + Off (5 buttons)	134 W	134 B
4 scenes, Off + Up/Down (7 buttons)	135 W	135 B
7 scenes + Off (8 buttons)	136 W	136 B
4 scenes (4 buttons)	137 W	137 B



**131W** On/Off



**132 W**  
Raise/Lower



**134 W**  
4 scenes + Off



**135 W**  
4 scenes,  
Off + Up/Down



**136 W**  
7 scenes + Off



**137 W**  
4 scenes

## Technical Data

### Connections

DALI cable: Removable connector block  
Wire size: 0.5 mm<sup>2</sup> – 2.5 mm<sup>2</sup> solid or stranded

Cable rating: All cables must be mains rated.

### Power

DALI supply input: 13 V to 22.5 V

DALI consumption: 10 mA

### Operation

IR frequency: 36 kHz

### Mechanical data

Dimensions: 35.4 mm × 48.4 mm × 31.8 mm

Module weight: 41 g with DALI connector

IP code: IP30

### Operating conditions

Ambient temperature: 0 °C to +40 °C

Relative humidity: Max. 90 %, noncondensing

Storage temperature: -10 °C to +70 °C

### Conformity and standards

EMC emission: EN 55015

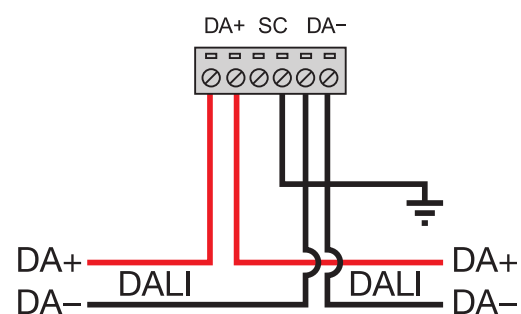
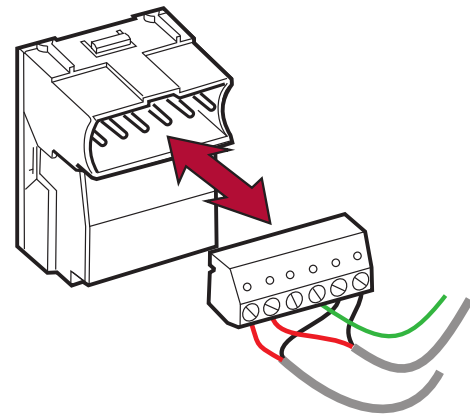
EMC immunity: EN 61547

Safety: EN 61347-2-11

Environment: Complies with WEEE and RoHS directives.

DALI data transfer: All DIGIDIM modular panels use a data protocol that conforms to the DALI protocol.

## Connections



## Dimensions (mm)

