

## High-Bay PIR Presence/Absence Detector (317)

The High-Bay PIR Presence/Absence Detector, in conjunction with a Helvar lighting control system, provides automatic control of lighting loads in buildings and interior spaces with high ceilings. The 317 is typically installed in warehouses and factories. It also used in other applications where mounting heights are too high for standard sensors.

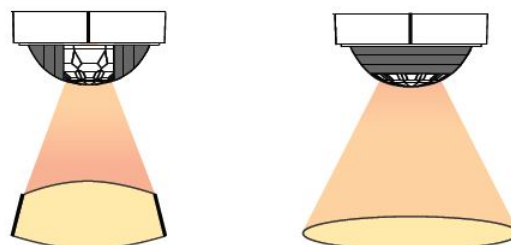
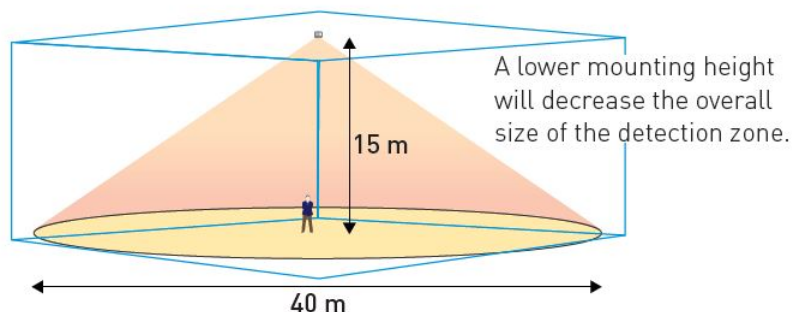
The unit is compatible with Helvar's lighting systems and configuration software, Designer and Toolbox. Once connected to a Helvar DALI network and lighting control system, the software automatically detects the unit, which can then be programmed with the required functions.



### Key Features

- Controls lighting loads based on presence/absence detection.
- For mounting on high ceilings.
- Fitted into ceiling tiles (or false ceiling), or surface mounted.
- Clip-on masks to customise the detection area.
- Simple connection and integration into a Helvar DALI control network.
- Programmable in Designer and Toolbox.
- Cold environment ( $-30\text{ }^{\circ}\text{C}$ ) version available. Order code: 317M.

### Detection Pattern



Two adaptable clip-on shielding masks are supplied with the unit. Each can cover half of the sensor lens.

Lateral or radial strips can be cut out of these masks to customise the detection area. For information, see the *Installation Guide*.

### Installation

The 317 and 317M can be mounted into a ceiling void or onto a solid surface using an appropriate back box.

Both versions of the detector can be used with Helvar's SBB-A back box for surface-mount, IP40 installation or with Helvar's SBB-P for surface-mount, IP65 installation.

For information on how to install the unit, see the *Installation Guide*.

## Technical Data

### Connections

DALI:	Removable connector block Wire size: 0.5 mm <sup>2</sup> – 1.5 mm <sup>2</sup> solid, flexible or stranded
Cable rating:	All cables must be mains rated.

### Power

DALI supply input:	13 V to 22.5 V
DALI consumption:	20 mA

### Sensors

Presence detector:	PIR: Passive infrared presence detector
Infrared receiver:	For remote control commands. <i>Note: Adjust sensitivity using Designer, or Toolbox (not by remote control unit).</i>
Range:	5 m – 15 m

### Mechanical data

Mounting hole diameter:	68 mm
Bezel diameter:	88 mm
Recommended clearance depth (incl. 50 mm for cabling):	80 mm (without protective cover); 100 mm (with protective cover)
Material (casing):	Flame retardant ABS and PC/ABS
Finish / Colour:	Matt / White RAL 9003
Weight:	120 g
IP code:	317: IP40 & IP65* 317M: IP40 & IP65* * When the unit is mounted onto Helvar's SBB-P back box using the supplied gasket.
Gasket:	Silicone ingress protection gasket (not compatible with surface mount box SBB-A)
Masks:	Two adaptable masks included, each covering half of the sensor lens.

### Operating conditions

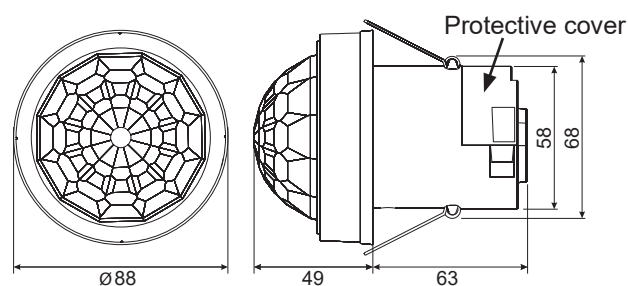
Ambient temperature:	317: 0 °C to +35 °C 317M: -30 °C to +35 °C <i>Note: The temperature difference between the detection target and the background must be at least 4 °C.</i>
Relative humidity:	Max. 90 %, noncondensing
Storage temperature:	317: -10 °C to +70 °C 317M: -30 °C to +70 °C

### Conformity and standards

EMC emission:	EN 61000-6-1
EMC immunity:	EN 61000-6-3
Safety:	EN 60730-1
Environment:	Complies with WEEE and RoHS directives.

### Dimensions (mm)

#### Sensor Head



#### Gasket

