

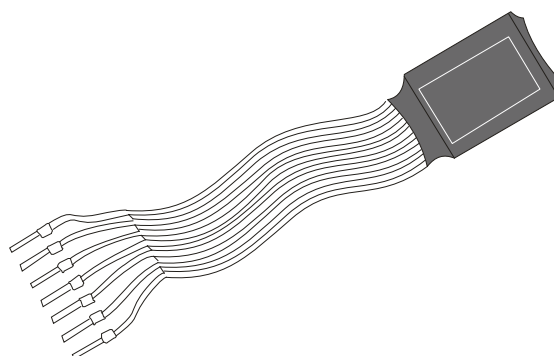
## DIGIDIM Mini Input Unit (444)

The Mini Input Unit is a DALI-compatible interface, designed to allow customer specified switches, sensors, time clocks or other on/off control devices to be incorporated into a DIGIDIM lighting control system.

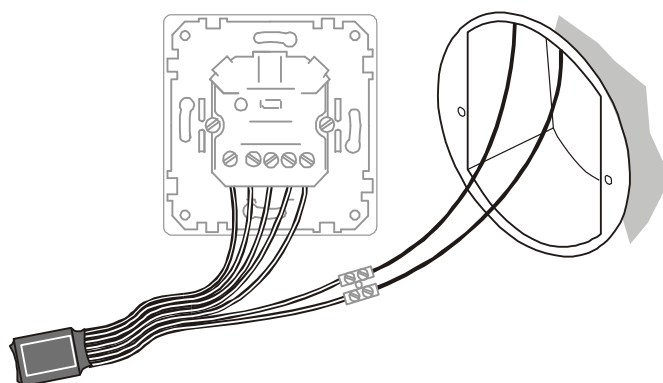
The Mini Input Unit is a small, prewired, encapsulated printed circuit board and is suitable for inclusion into all standard size back boxes together with a suitable mains-rated switch.

### Key Features

- Preconfigured with touch dimmer inputs for two groups.
- Fits into all standard size back boxes and architrave style back boxes.
- Touch dimming with a momentary push switch.
- Can be used with momentary or latching switches.
- Fully programmable using DIGIDIM Toolbox software.



Mini Input Unit



A Mini Input Unit used with a four-gang mains switch in a single-gang back box.

## Technical Data

### Connections

|                               |   |
|-------------------------------|---|
| Inputs:                       | 4 inputs (active low)<br>COM Input Ground                                 |
| Overload protection:          | ± 7 V   |
| Short-circuit current:        | 0.5 mA maximum  |
| Debounce period:              | 50 ms   |
| Voltage-free switched inputs: | 5 V nominal with switch open, must be less than 0.3 V with switch closed. |
| Isolation:                    | No isolation from DALI network: switches must provide user protection.    |

### Cable requirements

|              |  |
|--------------|--|
| DALI:        | DALI Ribbon cable terminated with 1.2 mm ferrules.   |
| Cable length | 170 mm<br><i>Caution: Do not increase the length of the wires. This can cause interference problems.</i> |

### Power

|                     |  |
|---------------------|--|
| DALI supply output: | None (Use external DALI power supply.) |
| DALI consumption:   | 10 mA                                  |

### Mechanical data

|             |  |
|-------------|--|
| Dimensions: | Encapsulated printed circuit board                     |
| Weight:     | 10 g   |
| IP code:    | IP20   |
| Mounting:   | For installation in a suitably enclosed location only. |

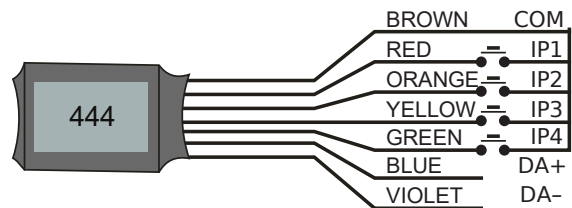
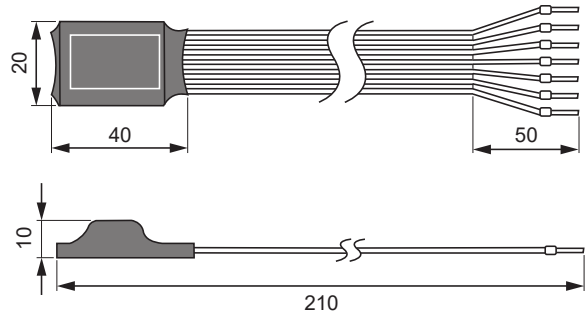
### Operating conditions

|                      |                          |
|----------------------|--------------------------|
| Ambient temperature: | 0 °C to +40 °C           |
| Relative humidity:   | Max. 90 %, noncondensing |
| Storage temperature: | -10 °C to +70 °C         |

### Conformity and standards

|               |   |
|---------------|---|
| EMC emission: | EN 55015                                |
| EMC immunity: | EN 61547                                |
| Safety:       | EN 61347-2-11                           |
| Environment:  | Complies with WEEE and RoHS directives. |

### Dimensions (mm)



### Default Functions

|                          |        |
|--------------------------|--------|
| • Common                 | Brown  |
| • 1 Scene 1 Recall/Store | Red    |
| • 2 Scene 2 Recall/Store | Orange |
| • 3 Scene 3 Recall/Store | Yellow |
| • 4 Touch Last level     | Green  |
| • DALI (+)               | Blue   |
| • DALI (-)               | Violet |