

MODEL	DN [inches]	Kvs [m ³ /h]	STROKE [mm]
3FIA25R4	1"	3,5	20
3FIA25	1"	10	
3FIA32	1 ¼"	16	
3FIA40	1 ½"	24	
3FIA50	2"	42	
3FIA65	2 ½"	63	30
3FIA80	3"	91	
3FIA100	4"	138	



TECHNICAL DATA

Type	3-way mixing globe valve
PN16 models	DN65, 100
PN40 models	DN25, 32, 40, 50, 80
Connections	Flanges UNI/DIN PN16 / PN40
Sealing type	Soft (Class VI)
Flow characteristic	Linear
Plug type	V-port
Temperature	from -30°C to +180 °C

DESCRIPTION

3FIA range consists in 3-way valve bodies to be assembled with electrical bidirectional actuator.

3FIA valves are 3-way mixing (diverting) valves for industrial use; they offer high performances with many types of fluid within a wide range of temperatures.

Valves are delivered after testing and calibration and ready for a long utilize, without maintenance.

3FIA.. valves are used to control fluids in accordance to article 13 of 2014/68/UE (PED) directive, in heating and cooling installations and in industrial processes; they cannot be used as safety valves.

OPTIONS

- 3-way DIVERTING (size DN40-100)
- High temperature extension (finned bonnet)
- Low temperature extension (-60°C)
- Bellows seal (double wall PN16, triple wall PN40)
- ANSI 300
- ANSI 150 (only drilling)
- Sealing type: metallic (Class IV - V)

Controlli S.p.A.
16010 Sant'Olcese (GE)
Tel. 010 73 06 1
Fax. 010 73 06 870/871
www.controlli.eu

ACTUATORS ASSEMBLING

CODE	DESCRIPTION
MVE	3FIA valves are supplied already mounted with the selected MVE. when ordering these valves and actuators please include in your order also the codes "MVEAV-10" related to the valve/actuator assembling in our factory. <i>Order example: MVE510 + 3FIA40 + MVEAV-10</i>
MVH	3FIA valves are supplied already mounted with the selected MVH with AG81. When ordering these valves and actuators please include in your order also the codes "MVHAV" related to the valve/actuator assembling in our factory. <i>Order example: MVH46 + AG81 + 3FIA40 + MVHAV</i>

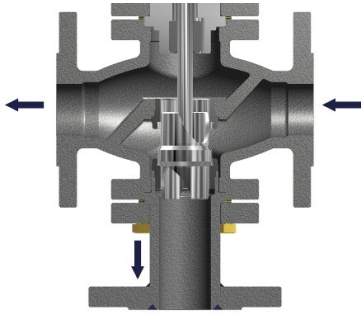
FLOW RATE COEFFICIENT

DN	CV	Kvs
25R4	4	3,5
25	12	10
32	18	16
40	28	24
50	48	42
65	72	63
80	105	91
100	160	138

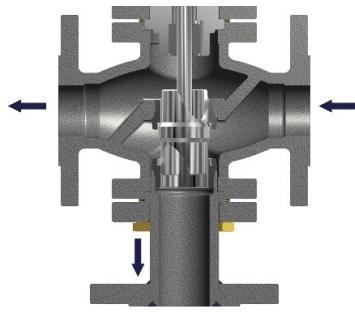
MATERIALS

Valve body	Stainless steel AISI 316 ASTM CF8M
Trim (plug - seat)	316L
Stem	316L
Stem packing	PTFE
Plug and Seat sealing	PTFE
Valve/actuator connection	U-bolt connection

DIVERTING



Normally open straight way

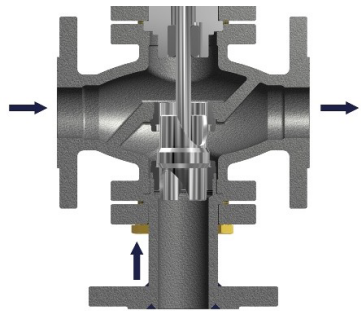


Normally open square way

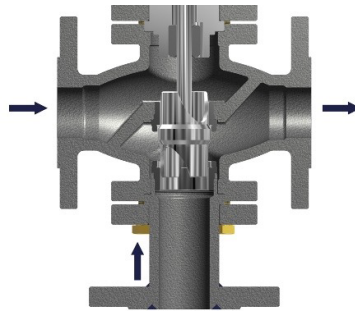
DIVERTING - MAX DIFFERENTIAL PRESSURE [kPa]

CODE	DN	MVHEA/C 700N	MVH 1500N	MVHE3K 3000N	MVE.06 600N	MVE.10 1000N	MVE.15 1500N	MVE.22 2200N
3FIA25R4	25	1000	-	-	1000	-	-	-
3FIA25	25	1000	-	-	1000	-	-	-
3FIA32	32	500	-	-	500	-	-	-
3FIA40	40	470	500	-	400	500	500	-
3FIA50	50	270	500	500	230	390	500	500
3FIA65	65	-	300	300	-	240	300	300
3FIA80	80	-	-	300	-	-	-	300
3FIA100	100	-	-	150	-	-	-	150

MIXING



Normally open straight way



Normally open square way

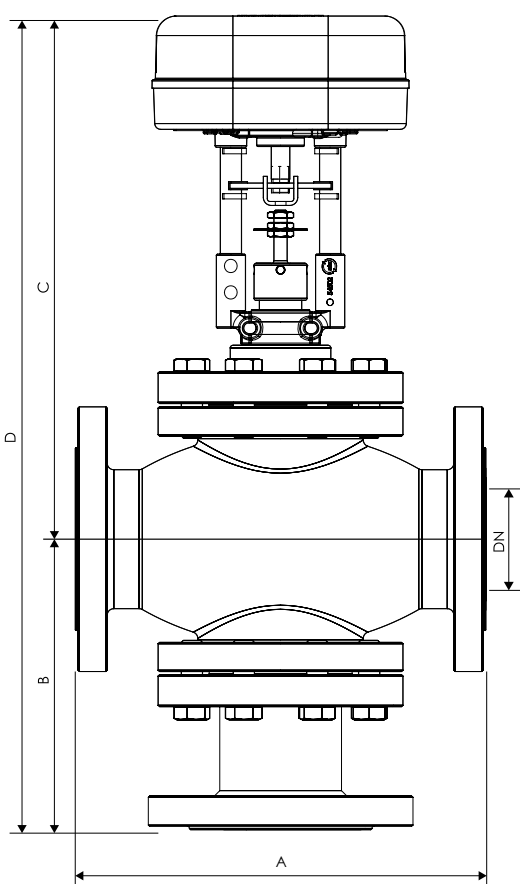
MIXING - MAX DIFFERENTIAL PRESSURE [kPa]

CODE	DN	MVHEA/C 700N	MVH 1500N	MVHE3K 3000N	MVE.06 600N	MVE.10 1000N	MVE.15 1500N	MVE.22 2200N
3FIA25R4	25	3100	-	-	2700	-	-	-
3FIA25	25	1150	-	-	1000	-	-	-
3FIA32	32	670	-	-	570	-	-	-
3FIA40	40	470	1000	-	400	670	1000	-
3FIA50	50	270	580	1170	230	390	580	850
3FIA65	65	-	360	720	-	240	360	530
3FIA80	80	-	-	580	-	-	-	430
3FIA100	100	-	-	320	-	-	-	240

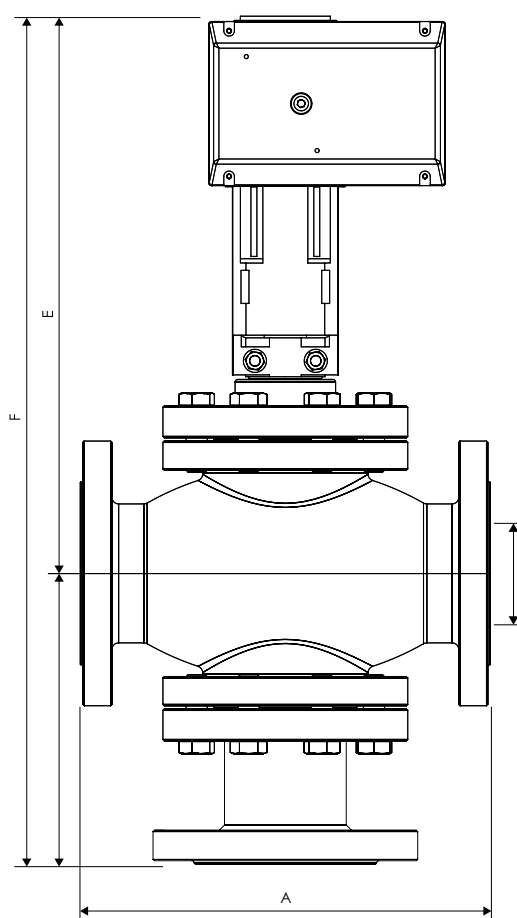
DIMENSIONS [mm]

CODE	DN	A	B	C	D	E	F	VALVE STROKE [mm]	NUMBER OF HOLES ON EACH FLANGE	INDICATIVE WEIGHT [kg]
3FIA25R4	25	160	156	354	510	374	530	20	4	22
3FIA25	25	160	156	354	510	374	530	20	4	22
3FIA32	32	180	156	354	510	374	530	20	4	28
3FIA40	40	200	156	354	510	374	530	20	4	30
3FIA50	50	230	166	360	526	380	546	20	4	38
3FIA65	65	290	219	395	614	415	634	30	4	54
3FIA80	80	310	220	395	615	415	635	30	8	66
3FIA100	100	350	240	417	657	437	677	30	8	90

WITH MVE



WITH MVH + AG81



The performances stated in this sheet can be modified without any prior notice