

Smart Metering Sensors

Pulse Sensor

TX PULSE 600-036



- ✓ Counting of meter pulses
- ✓ Compatible with LoRaWAN & Enless proprietary LoRa
- ✓ High-capacity D-type battery
- ✓ Up to 20 years of autonomy
- ✓ Very long radio range

Technical Specifications

Physical Characteristics

Protection rating	IP65
Mounting	Wall / Clamp / DIN rail
Operating temperature	-20 / +55°C
Power supply	3.6V Lithium D-type battery - Replaceable battery
Battery life	12 years for a transmission every 5 minutes (SF9)

Radio

Supported protocols	LoRaWAN (Class A) and Enless proprietary LoRa
Frequency	868MHz
Addressing	LoRaWAN = DEVEUI, APPEUI, APPKEY (OTAA) Enless proprietary LoRa = Enless LoRa ID
Encryption	LoRaWAN = AES128 Enless proprietary LoRa = no encryption
Transmission power	25mW (14 dBm)

Interface

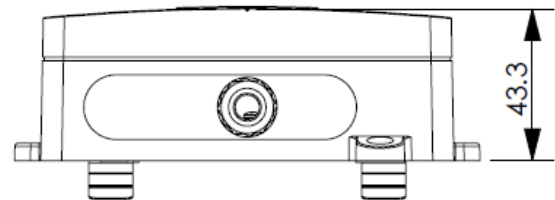
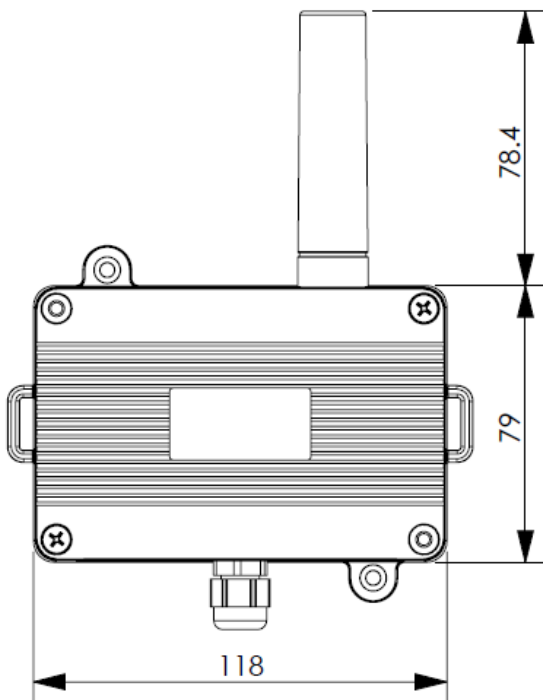
Pulse inputs

Number of inputs	2 inputs
Type of inputs	Dry Contact / Open Collector
Supported pulse types	Duration: minimum 50ms Frequency: maximum 10Hz
Additional function	Debounce

Certifications



Dimensions (mm)



DTM50-d



+3903311480496

sales@qlsol.com

Via Matteotti 193, 21044, Cavaria con Premezzo
Italy

<https://www.qlsol.com>