

Temperature Measurement

Temperature Sensor with External Contact Probe

TX TEMP CONT1 600-032



- ✓ PT1000 Contact Probe
- ✓ IP65 Rugged Enclosure
- ✓ LoRaWAN & Enless proprietary LoRa Compatible
- ✓ High Capacity Type D Battery
- ✓ Up to 20 Years of Autonomy
- ✓ Very Long Radio Range

Technical Specifications

Physical Characteristics

Enclosure Protection Rating	IP65
Mounting	Wall / Clamp / DIN Rail
Operating Temperature	- 20 / + 55°C
Power Supply	3.6V Lithium D-type Battery - Replaceable Battery
Battery Life	10 years for a transmission every 5 minutes (SF9)

Radio

Supported Protocols	LoRaWAN (Class A) and Enless proprietary LoRa
Frequency	868MHz
Addressing	LoRaWAN = DEVEUI, APPEUI, APPKEY (OTAA) Enless proprietary LoRa = Enless LoRa ID
Encryption	LoRaWAN = AES128 Enless proprietary LoRa = No encryption
Transmission Power	25mW (14 dBm)

Measurements

Probe Type PT1000 Contact Probe (2 wires)

Temperature

Probe Measurement Range -180 / +250°C

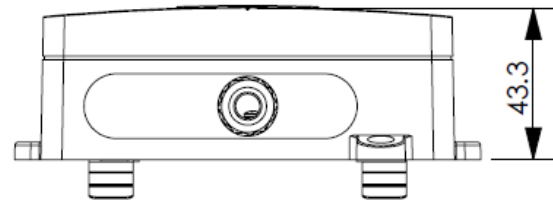
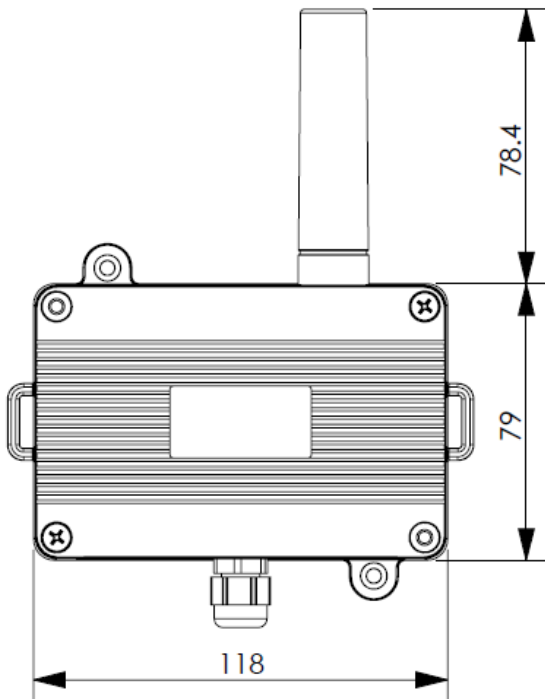
Probe Accuracy +/- 0.5°C

Probe Resolution 0.1°C

Certifications



Dimensions (mm)



DTM47-d



+3903311480496

sales@qlsol.com

Via Matteotti 193, 21044, Cavaria con Premezzo Italy

<https://www.qlsol.com>