

## 3430D2 Corridor Multisensor

The 3430D2 Corridor Multisensor is a DALI-2 certified input device designed specifically for long corridors and large spaces. Combining a passive infrared (PIR) presence detector with a constant light sensor, it ensures reliable occupancy detection and energy-efficient lighting control across an extended coverage area of up to 157 m<sup>2</sup> at 2.5 m mounting height.

Its multidirectional detection pattern reduces the need for multiple units, while programmable settings in Helvar's Designer software provide flexibility for a wide range of corridor applications.

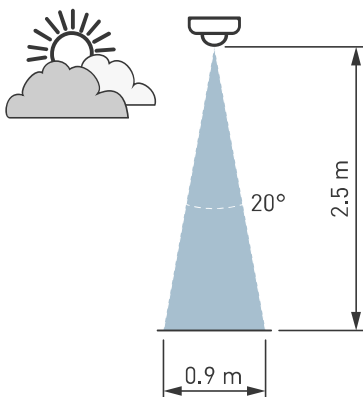
The 3430D2 can be recessed or surface-mounted using the 5002 Surface-Mounted Box (sold separately), and its robust design delivers consistent performance in both new installations and renovation projects.



## Key Features

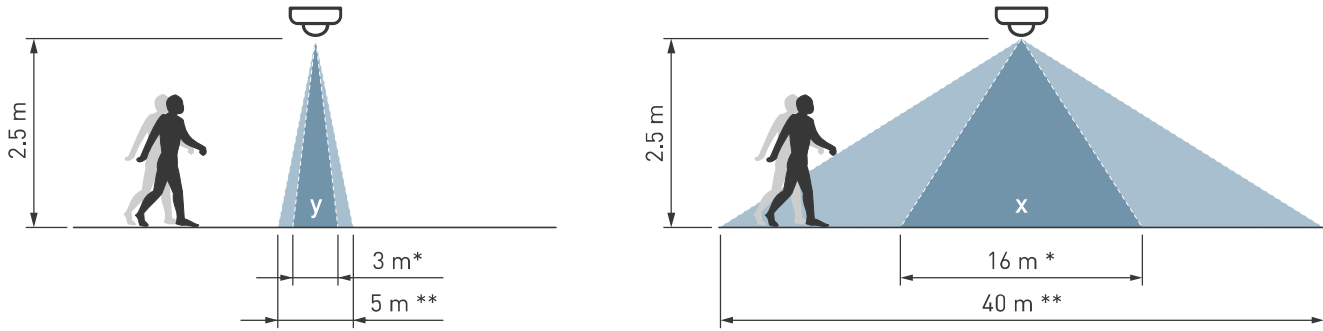
- Excellent detection performance through high sensitivity and multidirectional coverage
- Programmable constant light control for energy efficiency
- 10 mA DALI current consumption
- Compact and functional design
- Programmable in Designer
- DALI-2 certified input device

## Constant Light Coverage

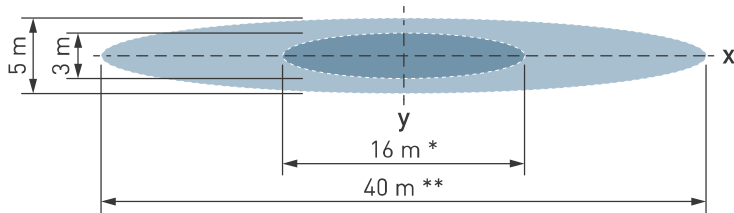


# Detection

## Detection Coverage



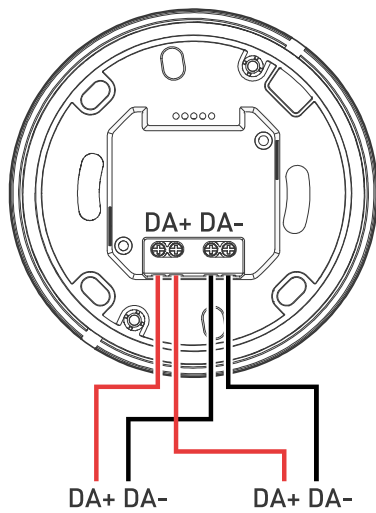
## Detection Pattern



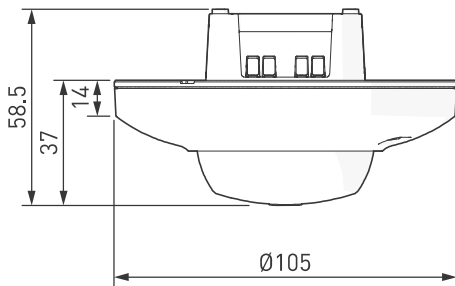
\* = small movement

\*\* = large movement

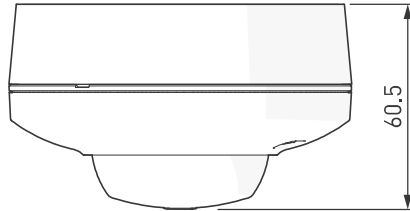
# Connections



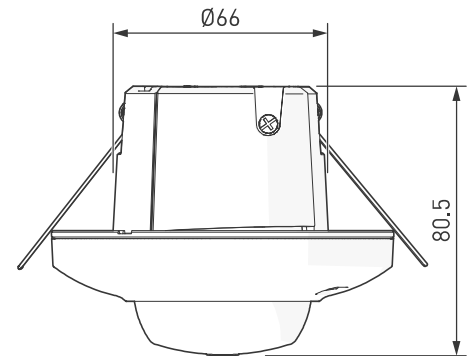
## Dimensions (mm)



Standard



w/ Surface-Mounted Box (accessory)



w/ Recess Spring Mount (included)

## Technical data

### Connections

DALI:	Screw terminals Wire section: 1.0–2.5 mm <sup>2</sup> , solid or stranded.
Cable rating:	All cables must be mains rated.

### Electrical Data

DALI supply input:	10–22.5 VDC
DALI consumption:	10 mA Max

### Sensors

Light sensor:	For constant-light functions
Presence detector:	Passive infrared (PIR)

### Operation

Start-up time:	1.3 sec
----------------	---------

### Mechanical data

Recommended mounting height:	Max. 2.5 m
Presence detection coverage area:	157 m <sup>2</sup> @ 2.5 m mounting height
Mounting hole diameter:	68 mm +/- 1 mm
Ceiling thickness:	Maximum 25 mm
Bezel diameter:	105 mm
Recommended clearance depth:	10 cm (with cable cover, including 5 cm for cabling)
Dimensions:	105 x 58.5 mm 105 x 60.5 mm with surface box 105 x 80.5 mm with flush mount
Material (casing):	Polycarbonate
Colour/Finish:	White (RAL 9003), semi-matt Black (RAL 9005), semi-matt
Weight:	119 g / 169 g (with packaging)
IP rating:	IP20 with EU standard junction box or spring clip box IP54 with surface mounting box

## Operating and storage conditions

Ambient temperature: 0 °C to +45 °C

**Note:** The temperature difference between the detection target and the background must be at least 4 °C.

Relative humidity: Max. 90 %, noncondensing


Storage temperature: -20 °C to +70 °C

## Compatibility

Device: DALI-2 Multi-master  
Application Controllers

Designer: 5.9.1

## Conformity and standards

Conformity: 

EMC emission / immunity: EN 55015 / EN 61547

DALI: IEC 62386, Parts 101, 103, 303 and 304

Safety: EN 61347-1, EN 61347-2-11

Environment: Complies with WEEE, RoHS and REACH directives.

## Order Codes

3430D2 Corridor Multisensor (DALI-2),  
White

3430BD2 Corridor Multisensor (DALI-2),  
Black

Delivered with fixing plate, Recess Spring Mount and PIR detection mask.

Accessories (sold separately):

5002 Surface-Mounted Box, White

5002B Surface-Mounted Box, Black