

3440D2 Wide Range Multisensor

The 3440D2 Wide Range Multisensor is a DALI-2 certified input device designed for large, open areas where wide coverage and reliable performance are essential. Combining a passive infrared (PIR) presence detector with a constant light sensor, it provides occupancy detection and energy-efficient lighting control across a coverage area of up to 452 m² at 2.5 m mounting height, with detection ranges extending up to 24 m.

It's multidirectional detection pattern ensures fewer sensors are required. Recommended for higher traffic areas such as halls, atriums, and open-plan zones.

Fully programmable through Helvar's Designer software, the 3440D2 offers flexible configuration for different applications.

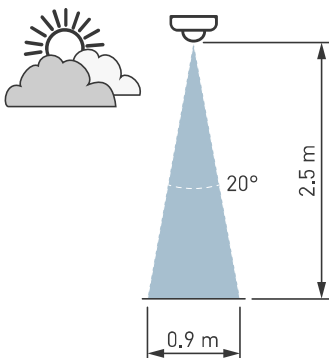
The unit can be recessed or surface-mounted using the 5002 Surface-Mounted Box (sold separately), delivering a modern and durable solution for both new builds and refurbishment projects.



Key Features

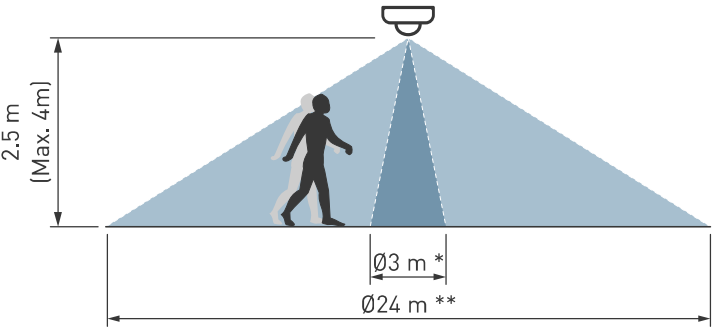
- Excellent detection performance through high sensitivity and multidirectional coverage
- Programmable constant light control for energy efficiency
- 10 mA DALI current consumption
- Compact and functional design
- Programmable in Designer
- DALI-2 certified input device

Constant Light Coverage



Detection

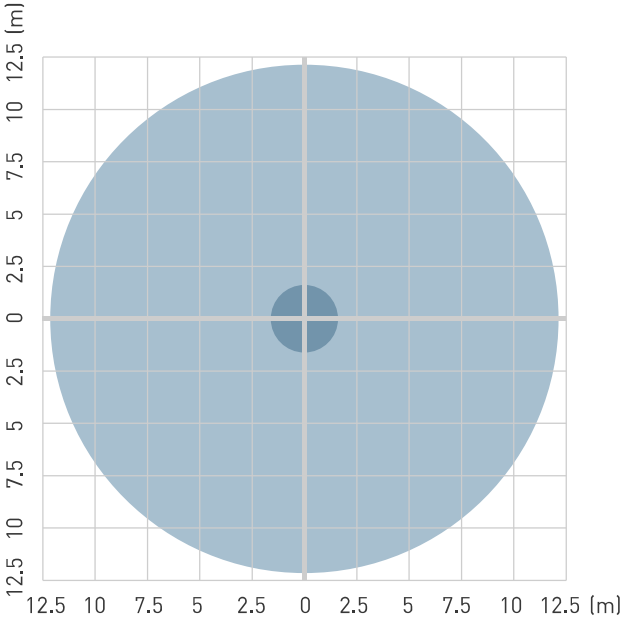
Detection Coverage



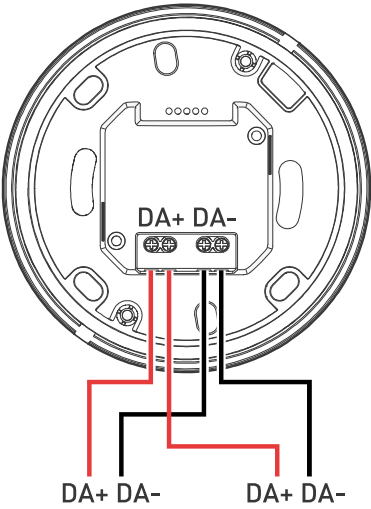
* = small movement

** = large movement

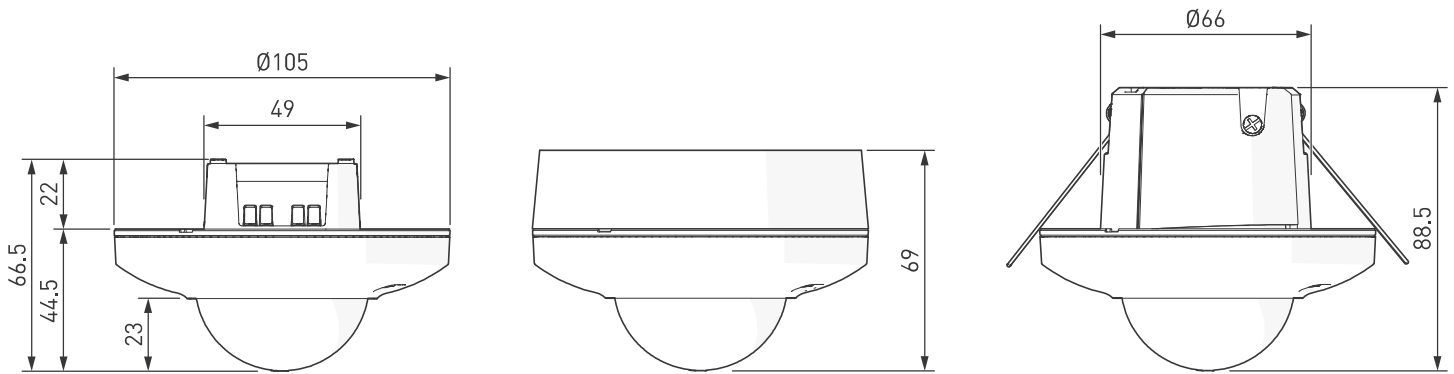
Detection Pattern



Connections



Dimensions (mm)



Standard

w/ Surface-Mounted Box (accessory)

w/ Recess Spring Mount (included)

Technical Data

Connections

DALI:	Screw terminals Wire section: 1.0–2.5 mm ² , solid or stranded.
Cable rating:	All cables must be mains rated.

Electrical Data

DALI supply input:	10–22.5 VDC
DALI consumption:	10 mA Max

Sensors

Light sensor:	For constant-light functions
Presence detector:	Passive infrared (PIR)

Operation

Start-up time:	1.3 sec
----------------	---------

Mechanical data

Recommended mounting height:	Max. 4 m
Presence detection coverage area:	452 m ² @ 2.5 m mounting height
Mounting hole diameter:	68 mm +/- 1 mm
Ceiling thickness:	Maximum 25 mm
Bezel diameter:	105 mm
Recommended clearance depth:	10 cm (with cable cover, including 5 cm for cabling)
Dimensions:	105 x 66.5 mm 105 x 69 mm with surface box 105 x 88.5 mm with flush mount
Material (casing):	Polycarbonate
Colour/Finish:	White (RAL 9003), semi-matt Black (RAL 9005), semi-matt
Weight:	119 g / 169 g (with packaging)
IP rating:	IP20 with EU standard junction box or spring clip box IP54 with surface mounting box

Operating and storage conditions

Ambient temperature: 0 °C to +45 °C

Note: The temperature difference between the detection target and the background must be at least 4 °C.

Relative humidity: Max. 90 %, noncondensing


Storage temperature: -20 °C to +70 °C

Compatibility

Device: DALI-2 Multi-master
Application Controllers

Designer: 5.9.1

Conformity and standards

Conformity: 

EMC emission / immunity: EN 55015 / EN 61547

DALI: IEC 62386, Parts 101, 103, 303 and 304

Safety: EN 61347-1, EN 61347-2-11

Environment: Complies with WEEE, RoHS and REACH directives.

Order Codes

3440D2 Wide Range Multisensor (DALI-2),
White

3440BD2 Wide Range Multisensor (DALI-2),
Black

Delivered with fixing plate, Recess Spring Mount and PIR detection mask.

Accessories (sold separately):

5002 Surface-Mounted Box, White

5002B Surface-Mounted Box, Black